

LED CANDLE LIGHT

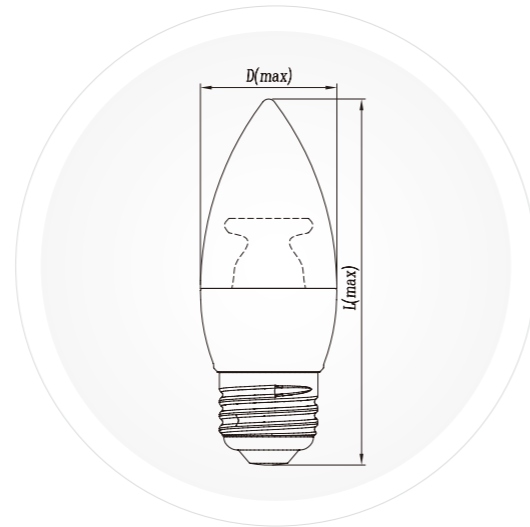
+

www.sotac.com.tw



B35/B42(C12/C16) Torpedo Series

Both Standard And Dimmable (5%-100%) Are Available
 Rated Voltage: 100V,120V,220-240V,90-250V, 50/60Hz
 Color Temperature: 2700K, 3000K,4000K, 5000K, 6500K
 Average Lifetime: 15000h, 25000h, 30000h
 Color Rendering Index(TYPE): 80,90
 Base: E12, E14, E17, E26, E27, B22d, B15d
 Beam Spread angle: 260°(Clear), 180°(Frosted)
 Housing: Thermal plastics with metal heatsink
 UV and IR free, Mercury free
 RoHS compliant



R35/B42(C12/C16)

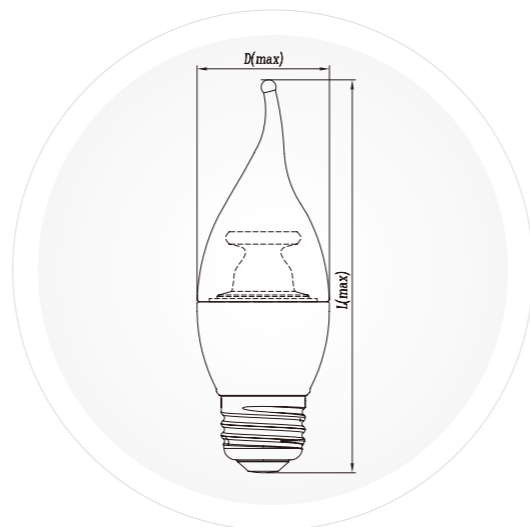
B35/B42(C12/C16) Torpedo Series

Series	Model Number		Watt (W)	Incandescent Wattage Comparison (W)	Luminous Flux(lm)	Base	M.O.L(mm/in)				M.O.D (mm/in)
	Standard	Dimmable					E12	E14	E26	E27	
Clear Torpedo Series											
B35 (C12)	K-L3B35A2-3W (K-L3C12A2-3W)	K-L3B35A2D-3W (K-L3C12A2D-3W)	3	B35(C12):25	250	E12 E14 E17 E26 E27 B22d B15d					
	K-L3B35A2-4W (K-L3C12A2-4W)	K-L3B35A2D-4W (K-L3C12A2D-4W)	4	B35(C12):30	320						
	K-L3B35A2-4.5W (K-L3C12A2-4.5W)	K-L3B35A2D-4.5W (K-L3C12A2D-4.5W)	4.5	B35(C12):35	380		98/ 3.86	105/ 4.13	97/ 3.82	100/ 3.93	36/ 1.42
	K-L3B35A2-5W (K-L3C12A2-5W)	K-L3B35A2D-5W (K-L3C12A2D-5W)	5	B35(C12):40	470						
B42 (C16)	K-L4B42A2-7W (K-L4C16A2-7W)	K-L4B42A2D-7W (K-L4C16A2D-7W)	7	B42(C16):60	500		108/ 4.25	114.5/ 4.51	107/ 4.21	110/ 4.33	41/ 1.61
Frosted Torpedo Series											
B35 (C12)	K-L3B35-3W (K-L3C12-3W)	K-L3B35D-3W (K-L3C12D-3W)	3	B35(C12):25	250	E12 E14 E17 E26 E27 B22d B15d					
	K-L3B35-4W (K-L3C12-4W)	K-L3B35D-4W (K-L3C12D-4W)	4	B35(C12):30	320						
	K-L3B35-4.5W (K-L3C12-4.5W)	K-L3B35D-4.5W (K-L3C12D-4.5W)	4.5	B35(C12):35	380		98/ 3.86	105/ 4.13	97/ 3.82	100/ 3.93	36/ 1.42
	K-L3B35-5W (K-L3C12-5W)	K-L3B35D-5W (K-L3C12D-5W)	5	B35(C12):40	470						
B42 (C16)	K-L4B42-7W (K-L4C16-7W)	K-L4B42D-6W (K-L4C16D-6W)	7	B42(C16):60	500		108/ 4.25	114.5/ 4.51	107/ 4.21	110/ 4.33	41/ 1.61

Product specifications subjects to change without prior notice.

B35/B42(C12/C16) Tip Series

Both Standard And Dimmable (5%-100%) Are Available
 Rated Voltage: 100V, 120V, 220-240V, 90-250V, 50/60Hz
 Color Temperature: 2700K,3000K,4000K,5000K,6500K
 Average Lifetime: 15000h,25000h,30000h
 Color Rendering Index(TYPE): 80,90
 Base: E12,E14,E17,E26,E27,B22d,B15d
 Beam Spread angle: 260°(Clear),180°(Frosted)
 Housing: Thermal plastics with metal heatsink
 UV and IR free, Mercury free
 RoHS compliant



R35/B42(C12/C16)

B35/B42(C12/C16) Tip Series

Series	Model Number		Watt (W)	Incandescent Wattage Comparison (W)	Luminous Flux(lm)	Base	M.O.L(mm/in)				M.O.D (mm/in)
	Standard	Dimmable					E12	E14	E26	E27	
Clear Tip Series											
B35 (C12)	K-L3B35A2T-3W (K-L3C12A2T-3W)	K-L3B35A2TD-3W (K-L3C12A2TD-3W)	3	B35(C12):25	250	E12 E14 E17 E26 E27 B22d B15d	101/ 3.98	125/ 4.92	100.1/ 3.94	120/ 4.72	36/ 1.42
	K-L3B35A2T-4W (K-L3C12A2T-4W)	K-L3B35A2TD-4W (K-L3C12A2TD-4W)	4	B35(C12):30	320						
	K-L3B35A2T-4.5W (K-L3C12A2T-4.5W)	K-L3B35A2TD-4.5W (K-L3C12A2TD-4.5W)	4.5	B35(C12):35	380						
	K-L3B35A2T-5W (K-L3C12A2T-5W)	K-L3B35A2TD-5W (K-L3C12A2TD-5W)	5	B35(C12):40	470						
B42 (C16)	K-L4B42A2T-7W (K-L4C16A2T-7W)	K-L4B42A2TD-6W (K-L4C16A2TD-6W)	7	B42(C16):60	500		114/ 4.49	130/ 5.12	113/ 4.45	125/ 4.92	41/ 1.61
Frosted Tip Series											
B35 (C12)	K-L3B35T-3W (K-L3C12T-3W)	K-L3B35TD-3W (K-L3C12TD-3W)	3	B35(C12):25	250	E12 E14 E17 E26 E27 B22d B15d	101/ 3.98	125/ 4.92	100.1/ 3.94	120/ 4.72	36/ 1.42
	K-L3B35T-4W (K-L3C12T-4W)	K-L3B35TD-4W (K-L3C12TD-4W)	4	B35(C12):30	320						
	K-L3B35T-4.5W (K-L3C12T-4.5W)	K-L3B35TD-4.5W (K-L3C12TD-4.5W)	4.5	B35(C12):35	380						
	K-L3B35T-5W (K-L3C12T-5W)	K-L3B35TD-5W (K-L3C12TD-5W)	5	B35(C12):40	470						
B42 (C16)	K-L4B42T-7W (K-L4C16T-7W)	K-L4B42TD-7W (K-L4C16TD-7W)	7	B42(C16):60	500		114/ 4.49	130/ 5.12	113/ 4.45	125/ 4.92	41/ 1.61

Product specifications subjects to change without prior notice.